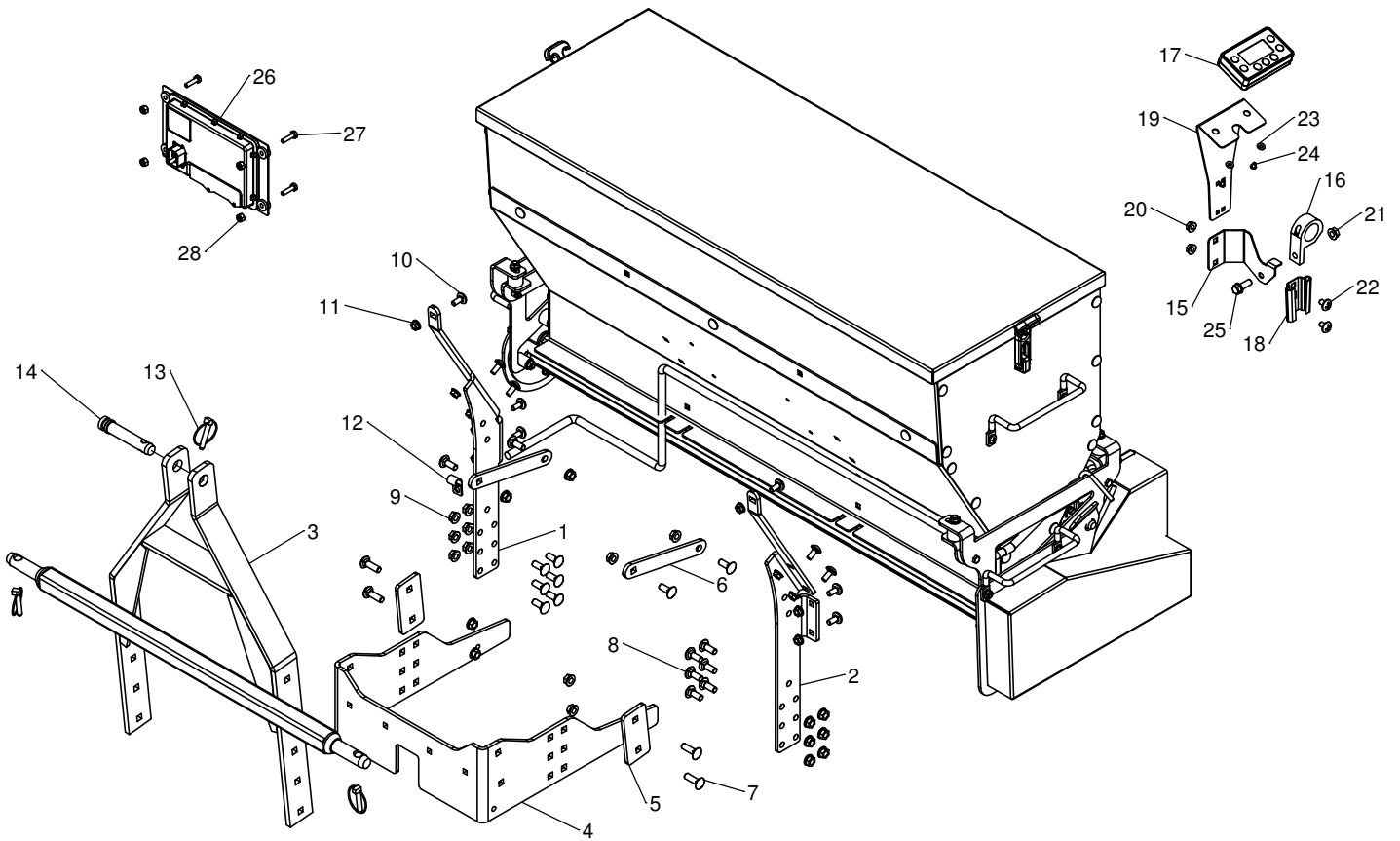


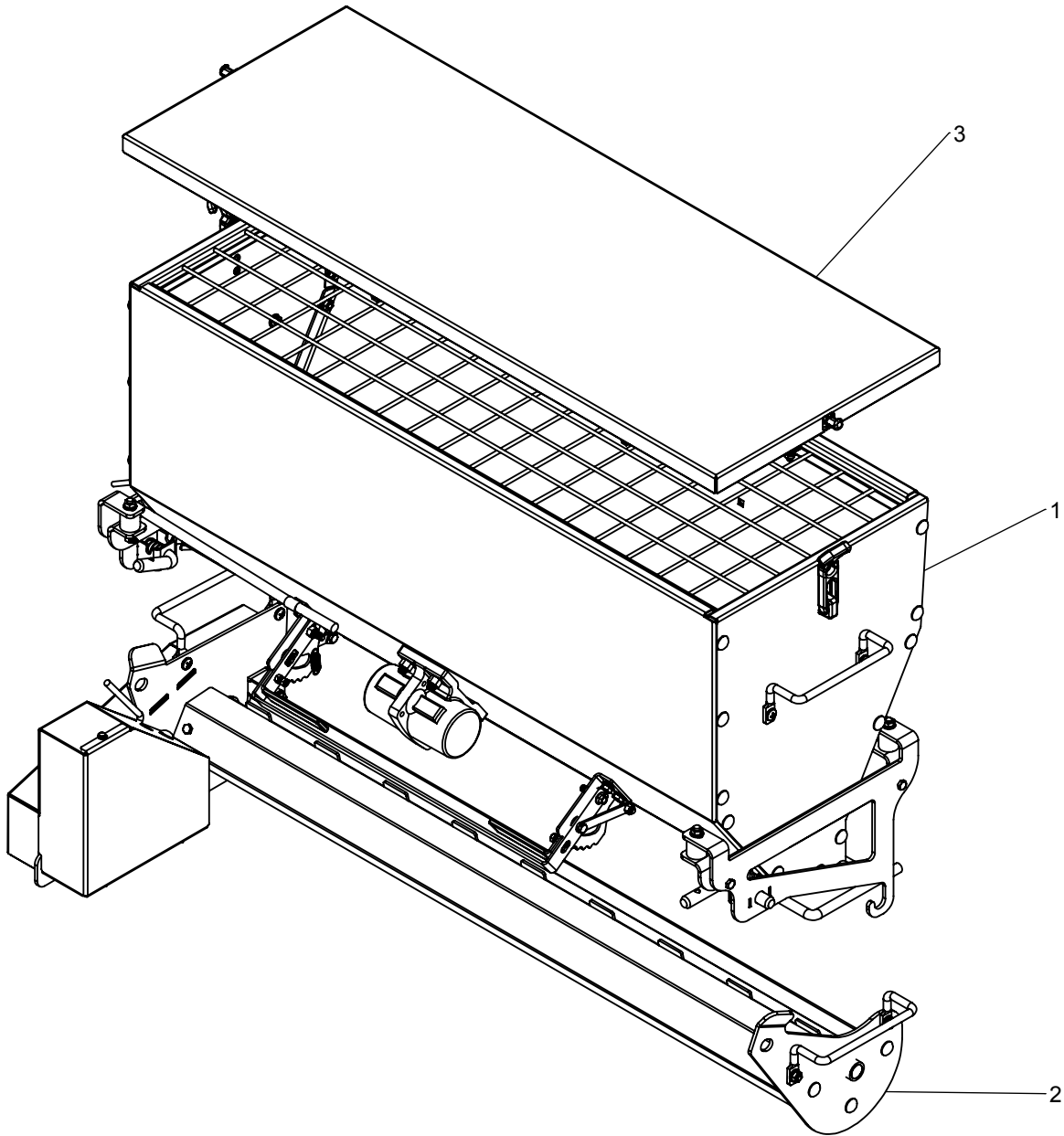
LP64761 3Pt. Drop Spreader



ITEM NO.	PART NUMBER	DESCRIPTION	QTY.
1	ST50454	Leg, Frame	1
2	ST50455	Leg, Frame	1
3	ST61500	3 Point Hitch A Frame	1
4	ST50533	Base, Regular profile	1
5	ST50527	Spacer, 3Pt Frame	2
6	ST50464	3Pt Hitch Brace	2
7	ST65135	3/8 x 1.25 Carriage Bolt	4
8	ST65136	3/8 x 1 Carriage Bolt	16
9	ST65126	Nut, 3/8" Flange S.S.	20
10	ST65122	Bolt, 5/16" x 3/4" Carriage S.S.	10
11	ST65124	Nut, 5/16" Flange S.S.	10
12	ST50468	Clamp, 1/2"ID Coated	1
13	ST43398	Lynch Pin	3
14	ST43399	Top Pin, Cat 1	1

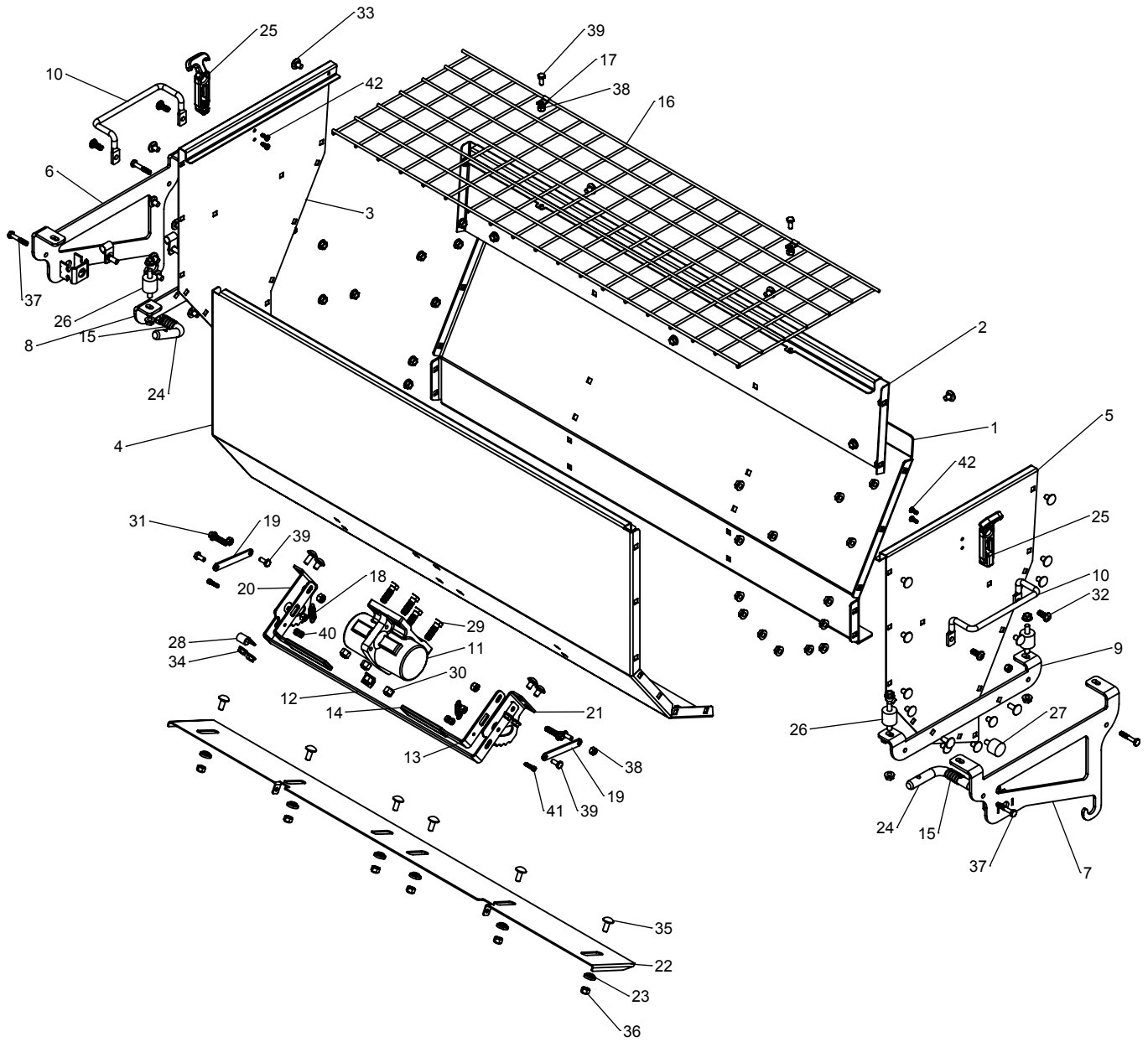
ITEM NO.	PART NUMBER	DESCRIPTION	QTY.
15	ST50961	3pt Control Mounting Bracket	1
16	ST50977	P-clamp 1.25"	1
17	ST48613	User Interface	1
18	ST48296	Bracket Receiver	1
19	ST50960	Display Bracket	1
20	ST65008	5/16 Flange Nut	2
21	ST65012	3/8 Flange Nut	1
22	ST65031	5/16 x 1/2 Truss Head Bolt	2
23	ST65199	M5 Flat Washer	2
24	ST65275	M5x8 Button-Head Screw	2
25	ST65045	3/8 x 1 Flange Bolt	1
26	SA10028	Control Module	1
27	ST65224	1/4 x 1 Hex Bolt SS	4
28	ST65115	1/4 Nylon Lock Nut SS	4
-	ST50975	Display Cable	1
-	ST50943	Power Harness	1
-	ST50939	Spreader Harness	1

ST50483 - Drop Spreader Assemblies



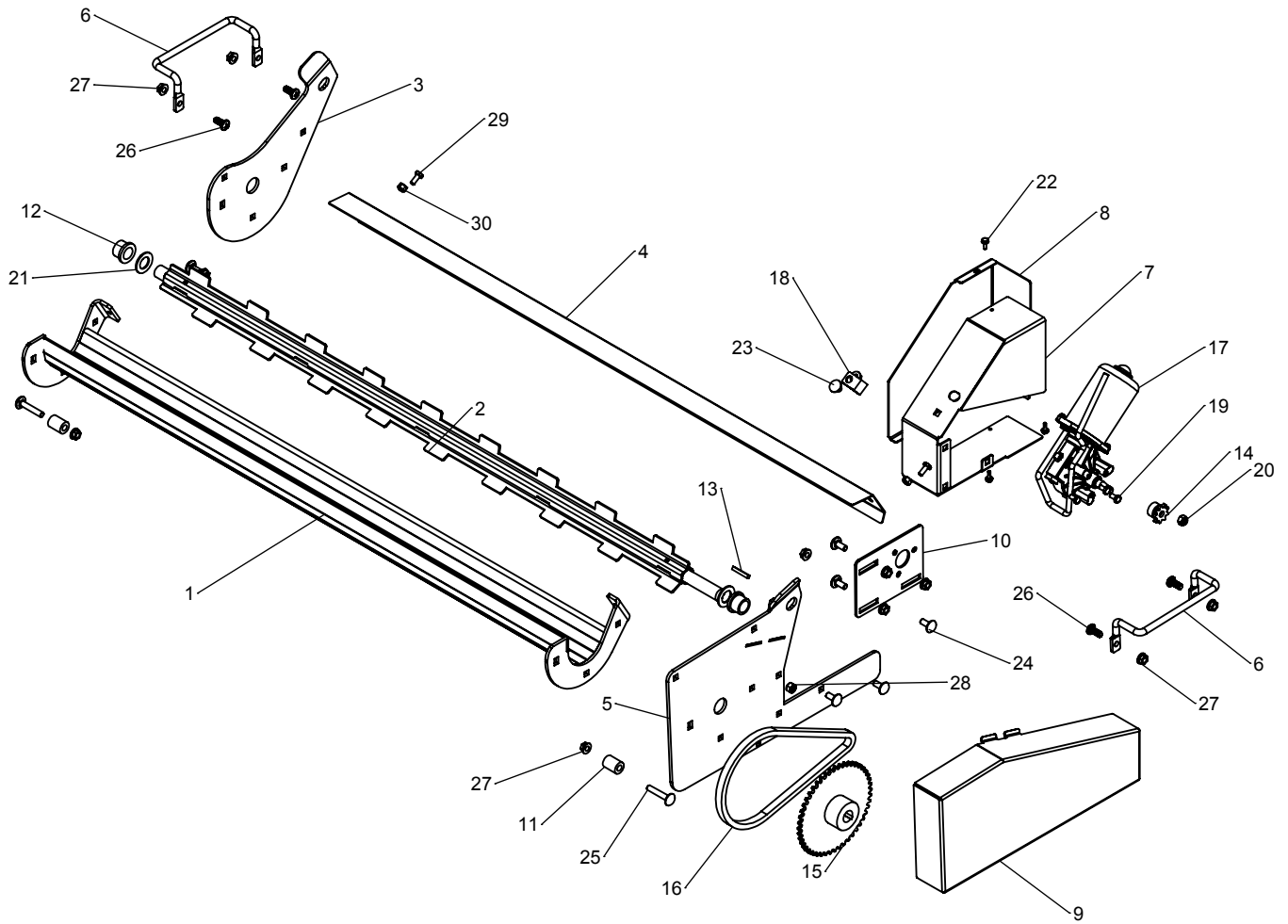
ITEM NO.	PART NUMBER	DESCRIPTION	QTY.
1	ST50477	Hopper Assembly	1
2	ST50478	Tray Assembly	1
3	ST50432	Lid Assembly	1

ST50477 - Drop Spreader Hopper Assembly



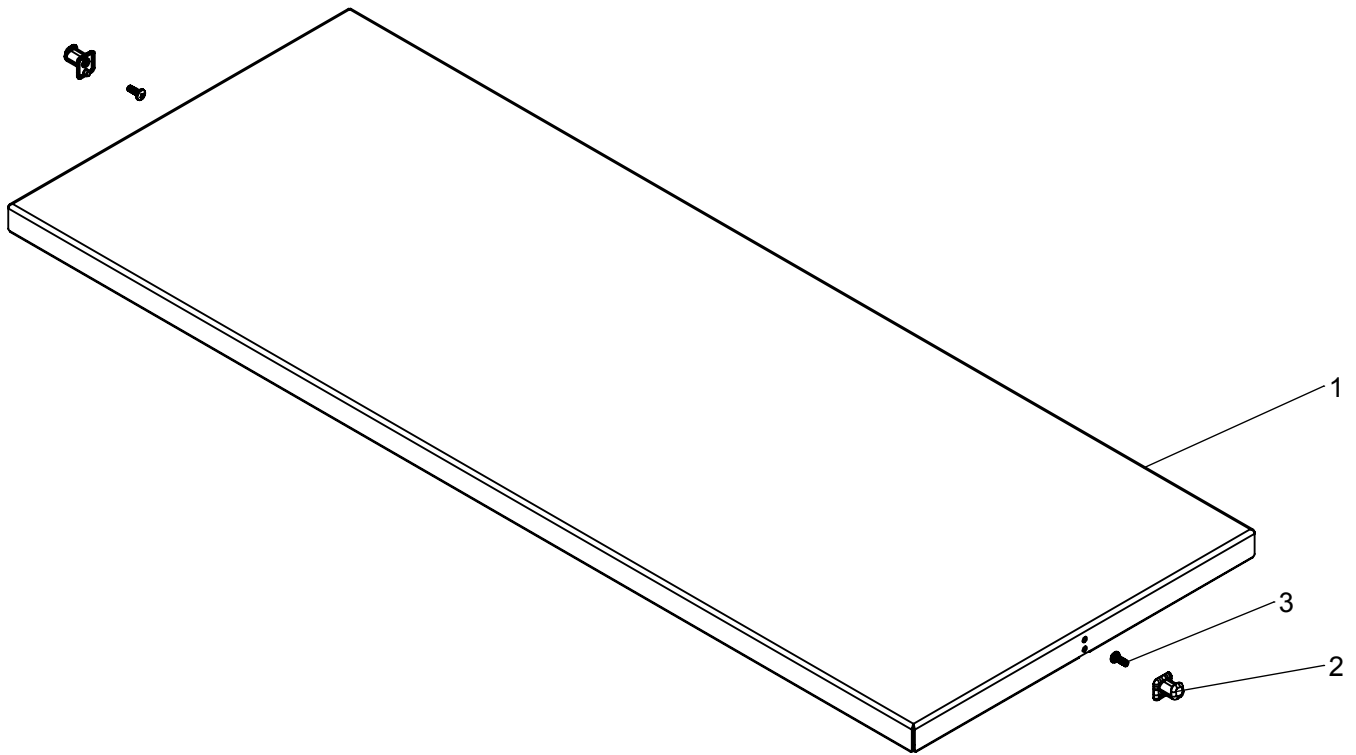
ITEM NO.	PART NUMBER	DESCRIPTION	Standard/QTY.
1	ST50827	Wall, Front Lower Hopper	1
2	ST50410	Wall, Front Upper Hopper	1
3	ST50408	Wall, Left Hopper	1
4	ST50412	Wall, Back Hopper	1
5	ST50409	Wall, Right Hopper	1
6	ST50479	Left Tray Hanger	1
7	ST50480	Right Tray Hanger	1
8	ST50425	Base, Vibration Mount Left	1
9	ST50426	Base, Vibration Mount Right	1
10	ST50447	Handle	2
11	ST50825	Vibrator	1
12	ST50557	Gate Handle	1
13	ST50558	Gate Latch Lever	2
14	ST50561	Handle Grip	2
15	ST50360	Spring	2
16	ST50450	Grate	1
17	ST50453	Clip	2
18	ST50449	Spring	2
19	ST50562	linkage	2
20	ST50559	Selector, Gate Position	1
21	ST50560	Selector, Gate Position	1
22	ST50437	Gate, Flow Control	1
23	ST50436	Shoulder Washer USA	6
24	ST50359	Locking Pin 5/8" dia S.S	2
25	ST50451	Rubber Latch	2
26	ST50490	Rubber Isolator	4
27	ST50424	Rubber Bumper	2
28	ST50468	Clamp, 1/2"ID x .75W Vinyl Coated	4
29	ST65138	3/8" x 1-1/4" S.S Hex Bolt	4
30	ST65127	Nut, 3/8" Nylock S.S.	4
31	ST65146	Cap Screw 5/16" x 1-1/4" S.S.	2
32	ST65137	Pan Head Phil.#4 5/16"-18 x 3/4" S.S.	4
33	ST65121	Bolt, 5/16" x 1/2" Short Neck Carriage S.S	27
34	ST65124	Nut, 5/16" Flange S.S.	47
35	ST65122	Bolt, 5/16" x 3/4" Carriage S.S.	12
36	ST65099	Nut, 5/16"-18 Nylock S.S.	8
37	ST65168	1/4" x 1-1/2" S.S. Hex Bolt	4
38	ST65115	1/4"-20 S.S. Nylon Lock Nut	10
39	ST65120	Bolt, 1/4"-20 x 5/8" Hex S.S.	6
40	ST65148	10-24 S.S. Nylon Lock Nut	4
41	ST65147	10-24 x 3/4" Cap Screw S.S.	2
42	ST65130	10-24 #2 S/S Pan Screw	4
Not Shown	ST50421	Motor Harness	1

ST50478 - Drop Spreader Tray Assembly



ITEM NO.	PART NUMBER	DESCRIPTION	QTY.
1	ST50473	Tray Weldment	1
2	ST50471	Welded Auger	1
3	ST50430	Plate, Tray Mount Right	1
4	ST50431	Shield, Tray Auger	1
5	ST50445	Plate, Tray Mount Left	1
6	ST50447	Handle	2
7	ST50443	Shield, Motor Inner	1
8	ST50444	Shield, Motor Outer	1
9	ST50446	Shield, Chain Drive	1
10	ST50427	Plate, Motor Mount	1
11	ST50428	Bushing, Tray Hook	2
12	ST50419	Bearing, Bronze Flanged Sleeve	2
13	ST50487	Key 3/16" x 1-1/4"	1
14	ST50435	Sprocket, 35 Series 9T	1
15	ST50472	Sprocket 48 Tooth	1
16	ST50470	Chain, 35 Series	1
17	ST50452	Motor, Electric	1
18	ST50468	Clamp, 1/2"ID x .75W Vinyl Coated	1
19	ST65132	M6 x 12mm Hex Bolt	3
20	ST65128	Nut, M8 Nylock S.S.	1
21	ST65129	Washer, 3/4"ID 1.32"OD Flat S.S.	2
22	ST65131	Screw, #10-24 Thread-Cutting Screw	3
23	ST65121	Bolt, 5/16" x 1/2" Short Neck Carriage S.S	1
24	ST65122	Bolt, 5/16" x 3/4" Carriage S.S.	8
25	ST65123	Bolt, 5/16" x 1-3/4" Carriage S.S.	2
26	ST65137	Pan Head Phil.#4 5/16"-18 x 3/4" S.S.	4
27	ST65124	Nut, 5/16" Flange S.S.	14
28	ST65099	Nut, 5/16"-18 Nylock S.S.	1
29	ST65120	Bolt, 1/4"-20 x 5/8" Hex S.S.	2
30	ST65115	1/4"-20 S.S. Nylon Lock Nut	2

ST50432 - Drop Spreader Lid Assembly



ITEM NO.	PART NUMBER	DESCRIPTION	QTY.
1	ST50432	Lid, Hopper	1
2	ST50451	Latch Stud	2
3	ST65130	Screw, #10-24 1/2" #2 Phil. Pan Head S.S.	2